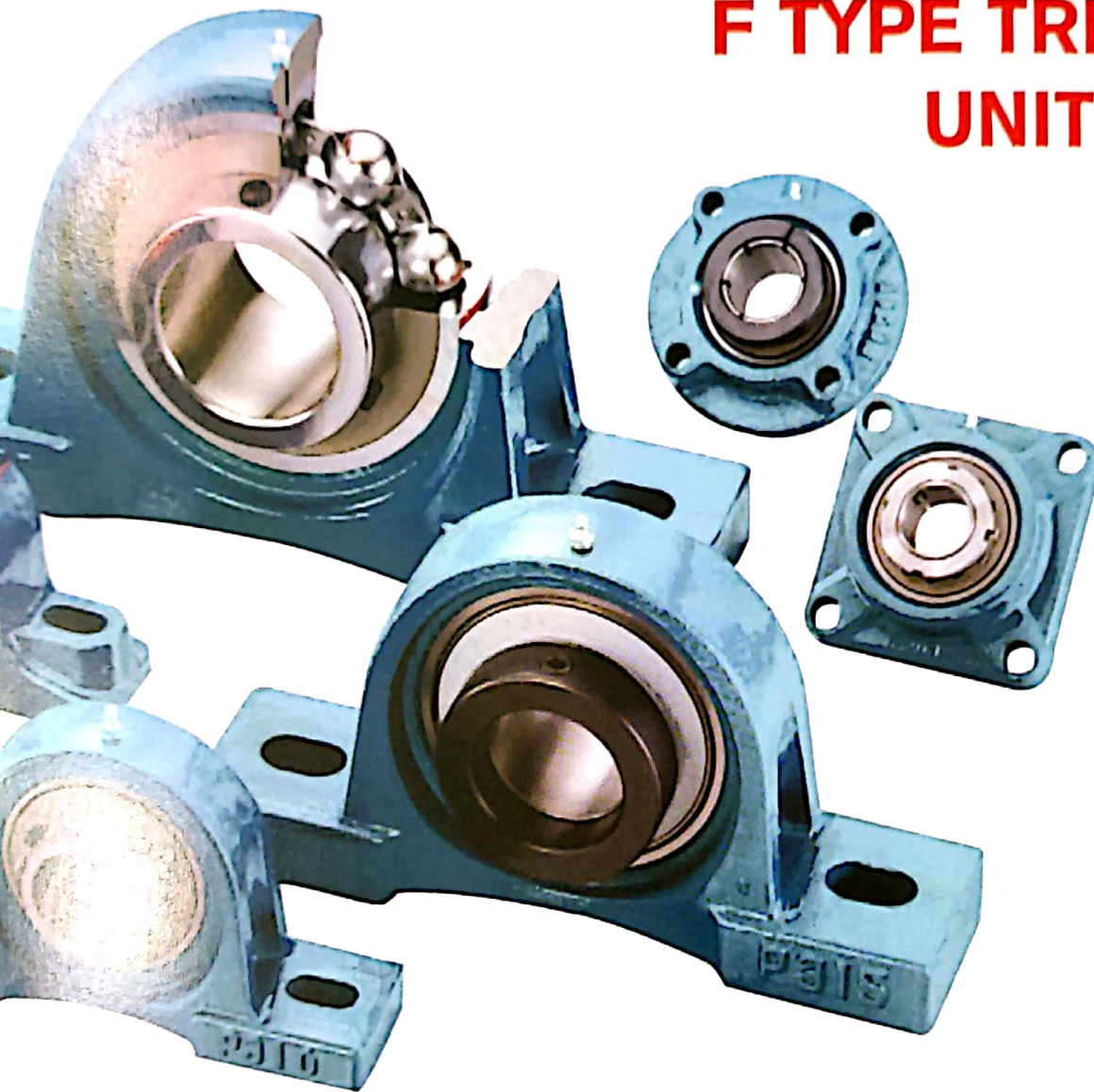




# F TYPE TRIPPLE SEAL UNIT BEARING



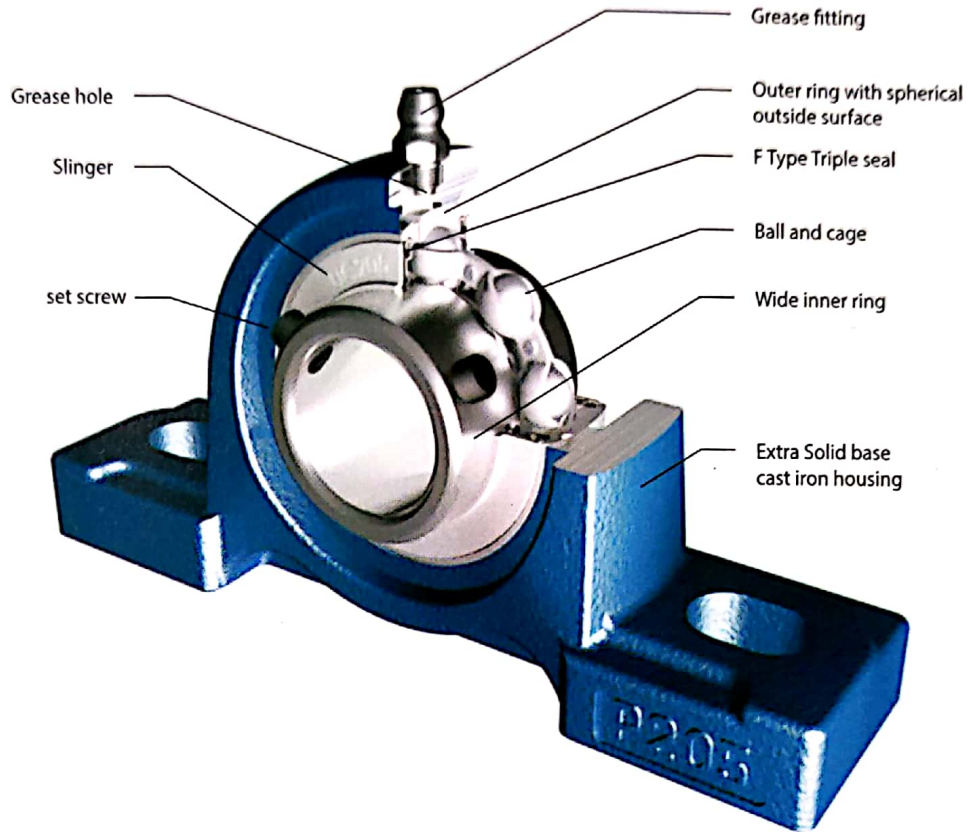
## Structure and Features

SBZ Gold + Ball Bearing Units are manufactured to exacting standards comprising of grease sealed deep groove ball bearings and housings in various forms.

Self-aligning units allow for easy installation and are supplied with grease fittings in order to facilitate quick and convenient re-lubrication.

## Structure

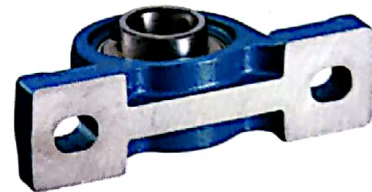
SBZ Gold + Ball Bearing Units are constructed of high chromium bearing steel and have precision honed raceways and riveted steel cages.



Structure of ball bearing units (representative example)

## Features

- Supreme load capacity and accuracy
- Rational self-aligning mechanism and optimal fit
- Superior Triple Layer sealing performance
- Simple lubrication
- Highly rigid and rugged cast iron housings
- Simple installation and handling



# Associated Bearing Corporation

Sales Office : 61, G.B. Road, Delhi-6, Contact: 23211754, 23214516, 23218160, 9312263559

Regd. Office : 47, IInd Floor, G.B. Road, Delhi-6, Ph.: 23212749

e-mail : varunlakhotiya@gmail.com | web : www.szbearing.com

**SERVING TRADE & INDUSTRIES SINCE 1968**

